

Class B AIS Transponder with Navigation Function and NMEA 2000™ Connectivity

New Navigation function guides you to the specified waypoints (maximum 100 waypoints are selectable) or AIS targets

Wide viewing angle and high-luminance 4.3-inch color IPS TFT display readable under direct sunlight

NMEA 2000™, NMEA 0183/-HS connectivity

Compatible with both 12 V and 24 V power sources

Man OverBoard (MOB) function and navigation to the MOB waypoint

AIS data can be output from a USB cable connector on the rear panel*

* A third party application and a connection cable are required.

Friends function displays pre-stored Friend ships in yellow on the display

Collision Alarm function sounds an alarm when the AIS target is closer than the set CPA/TCPA values

Anchor watch function sounds an alarm when your vessel is at anchor, and has drifted

Multi-lingual user interface (English, French, Indonesian, Spanish and Vietnamese)

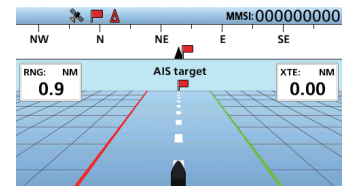
Silent mode switches off the AIS transmitter for security and privacy

You can pick up AIS targets on the display and send Individual DSC Calls*

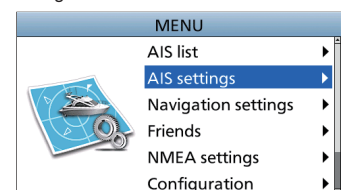
* A compatible Icom VHF radio (IC-M605/EURO or IC-M506/GE) is required.



MA-510TR and supplied GPS antenna



Navigation screen



Menu screen



Night mode screen (standby)

SPECIFICATIONS

GENERAL		
Frequency coverage	161.975 MHz and 162.025 MHz	
Type of emission	16K0GXW (GMSK)	
Antenna impedance	50 Ω (unbalanced)	
Intermediate frequency	AIS 1: 1st: 21.700 MHz, 2nd: 450 kHz AIS 2: 1st: 30.150 MHz, 2nd: 450 kHz	
Operating temperature range	-20°C to +60°C, -4°F to +140°F	
Power supply requirement	Negative ground: 12 V or 24 V DC nominal (9.6 to 31.2 V)	
Current drain (at 12 V DC)	TX: 1.5 A, RX: 0.7 A	
Dimensions (approximate)	166.2 (W) × 110 (H) × 80 (D) mm, (Projections not included) 6.5 (W) × 4.3 (H) × 3.1 (D) inch	
Weight (approximate)	700 g, 1.5 lb	
TRANSMITTER		
Output power	2 W	
Modulation	GMSK	
Conducted spurious emission	Less than -36 dBm (9 kHz-1 GHz) Less than -30 dBm (1 GHz-4 GHz)	
RECEIVER (AIS)		
Sensitivity	Less than -110 dBm	
Adjacent channel selectivity	More than -31 dBm	
Spurious response	More than -31 dBm	
Intermodulation	More than -36 dBm	
Conducted spurious emission	Less than -57 dBm (9 kHz-1 GHz) Less than -47 dBm (1 GHz-4 GHz)	
Blocking	More than -15 dBm (±0.5 MHz-±5 MHz) More than -23 dBm (±5 MHz-±10 MHz)	
Co-channel	More than -111 dBm	
RECEIVER (DSC)		
Frequency coverage	156.525 MHz	
Type of emission	16K0G2B	
Sensitivity	Less than -110 dBm	
Adjacent channel selectivity	More than 70 dB	
Spurious response	More than -34 dBm	
Intermodulation	More than -39 dBm	
Blocking	More than -20 dBm	
GPS RECEIVER		
Received frequency	1575.42 MHz	
Acquisition	72 ch (maximum)	
Satellites	GPS, GLONASS	
Differential satellites	WAAS, EGNOS, MSAS, GAGAN	
Dimensions (approximate)	φ96 × 225 (H) mm, φ3.8 × 8.9 (H) inch	
Weight (approximate)	700 g, 1.5 lb (including cable and mounting bracket)	
Cable length (approximate)	10 m, 32.8 ft	
DATA INTERFACE		
USB	VDM, VDO, ACA, ACS, ALR, TXT, GGA, GNS, GLL, GSA, GSV, RMC, VTG	
NMEA 2000	1 port	
NMEA 0183	Port 1	4800 bps IN/OUT, DSC, RMC, GGA, VTG, GSA, GSV, GBS, DTM, GNS, GLL
	Port 2	38400 bps OUT, VDM, VDO, ACA, ACS, ALR, TXT, GGA, GNS, GLL, RMC, VTG
	Port 3	4800 bps IN, GGA, GNS, GLL, RMC, VTG, GBS, DTM

All stated specifications are subject to change without notice or obligation.

This device has not been approved by the appropriate authorities in each country. This device may not be sold or leased, or be offered for sale or lease, until approval has been obtained. All stated features, appearances, screen shots and specifications may be subject to change without notice. Icom, Icom Inc. and the Icom logo are registered trademarks of Icom Incorporated (Japan) in Japan, the United States, the United Kingdom, Germany, France, Spain, Russia, Australia, New Zealand and/or other countries. NMEA 2000 is a trademark of the National Maritime Electronics Association, Inc. All other trademarks are the properties of their respective holders.

OPTIONS



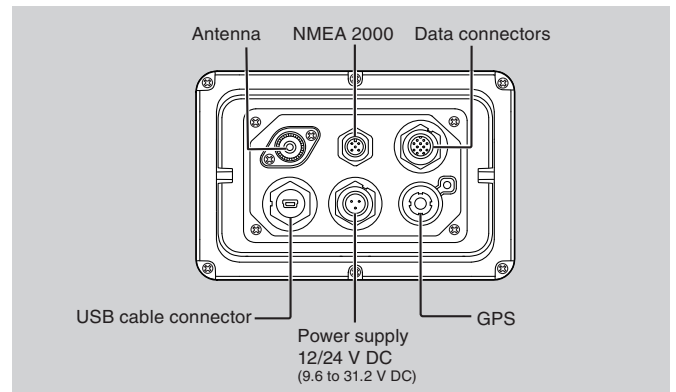
For flush-mounting the MA-510TR to a flat surface, such as a control panel.



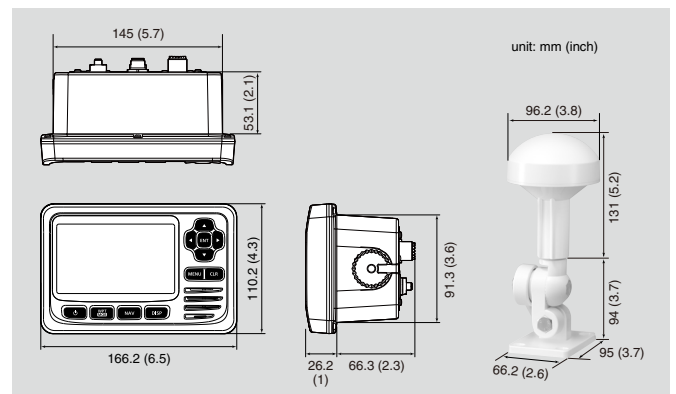
For flush-mounting the MA-510TR to a flat surface, such as a control panel.

CS-MA510TR
PROGRAMMING SOFTWARE

REAR PANEL VIEW



DIMENSIONS



- Supplied accessories:**
- GPS antenna
 - DC power cable
 - Mounting bracket kit

Icom Inc. 1-1-32, Kamiminami, Hirano-Ku, Osaka 547-0003, Japan Phone: +81 (06) 6793 5302 Fax: +81 (06) 6793 0013 www.icom.co.jp/world **Count on us!**

Icom America Inc.
www.icomamerica.com

Icom (Europe) GmbH
www.icomeurope.com

Icom (Australia) Pty. Ltd.
www.icom.net.au

Your local distributor/dealer:

Icom Canada
www.icomcanada.com

Icom Spain S.L.
www.icomspain.com

Icom Brazil
E-mail: sales@icombrasil.com

Icom (UK) Ltd.
www.icomuk.co.uk

Icom France s.a.s.
www.icom-france.com