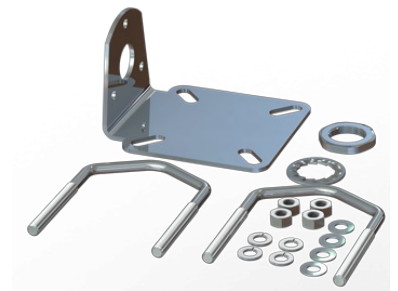


MAST/RAIL MOUNT (Ø 25 MM)

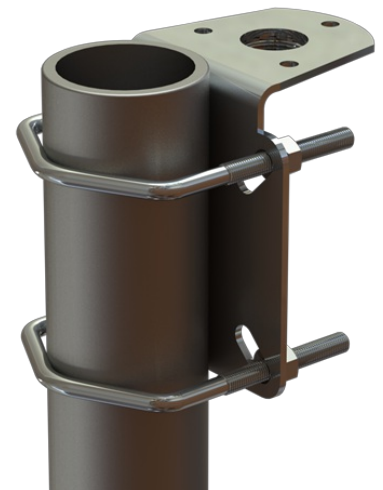
Stainless steel bracket for pole or wall mounting (Ø 25 mm)

- Stainless steel bracket for installation of Marine and Base Station antennas on vertical / horizontal poles and rails or on wall
- Mounts vertically overhead on poles Ø 38 - 75 mm or horizontally on side beams/rails Ø 38 - 75 mm. Optionally mounting on on wall
- Fits all Marine and Base Station Antennas with 1"-14NF external threaded base
- Stainless steel hardware included



MECHANICAL SPECIFICATIONS

Color	Polished stainless steel
Weight	600 g (Mounting hardware included)
Mounting	On pole with supplied U-bolts
Mounting place	On vertical / horizontal pole (Ø 38 - 75 mm) or wall
Mounting hole	Ø 25 mm
Materials	High grade AISI-316 stainless steel
For Antenna Types	Marine and Base Station Antennas with 1"-14NF threaded base
Dimension	119.4 x 76.4 x 103 mm (3 mm thick)



ORDERING INFORMATION

10000-173	Individually packing in Carton box
-----------	------------------------------------

PACKAGING INFORMATION

Type	Bulk packing or individually packing in Polybag or Carton box (See "ORDERING INFORMATION")
size	205 x 105 x 75 mm
weight	Approx. 650 g

